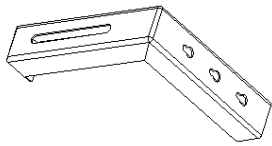




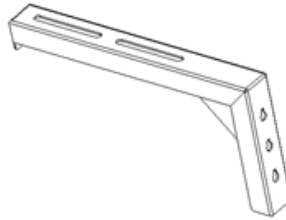
6", 12" (L) Bracket Pair

Installation Guide

1. Parts List



6 inch bracket Part Numbers:
 ZVMAXLB6-W (white)
 ZVMAXLB6-B (black)



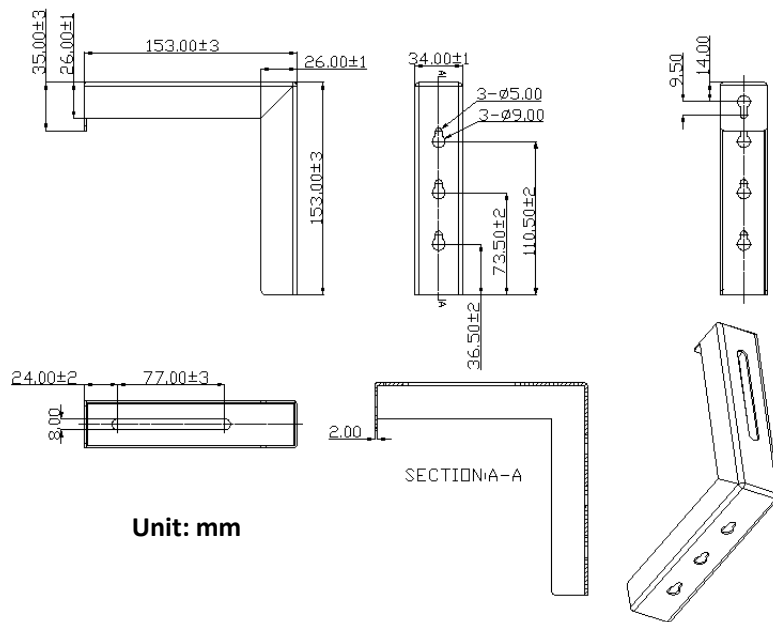
12 inch bracket Part Numbers:
 ZVMAXLB12-W (white)
 ZVMAXLB12-B (black)

Only a pair of either 6 or 12 inch brackets is included. Drawings for reference only.

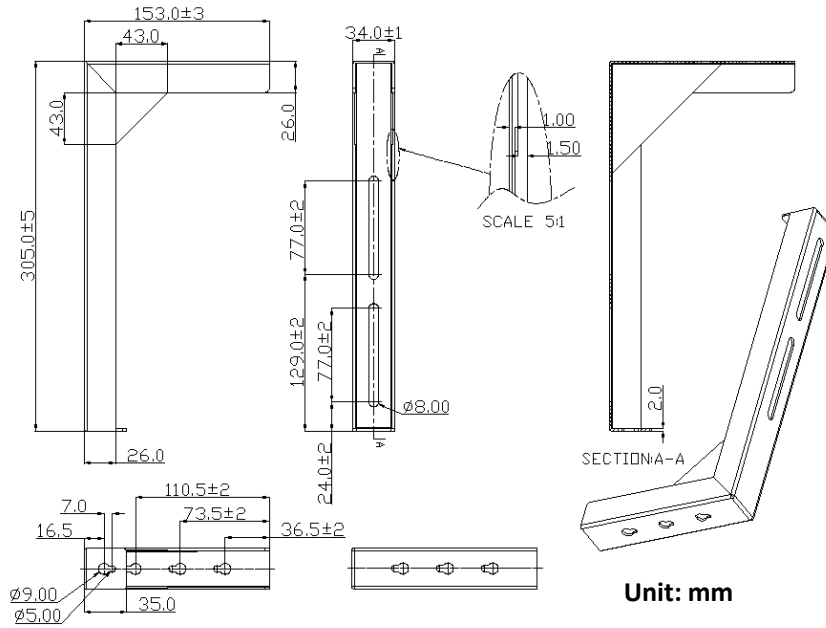
L brackets hardware kit

A. Snap link x2	B. Eyebolt x2	C. Nut x4
D. Wing Nut x4	E. Washer X4	F. Screw/Wall anchor set x6

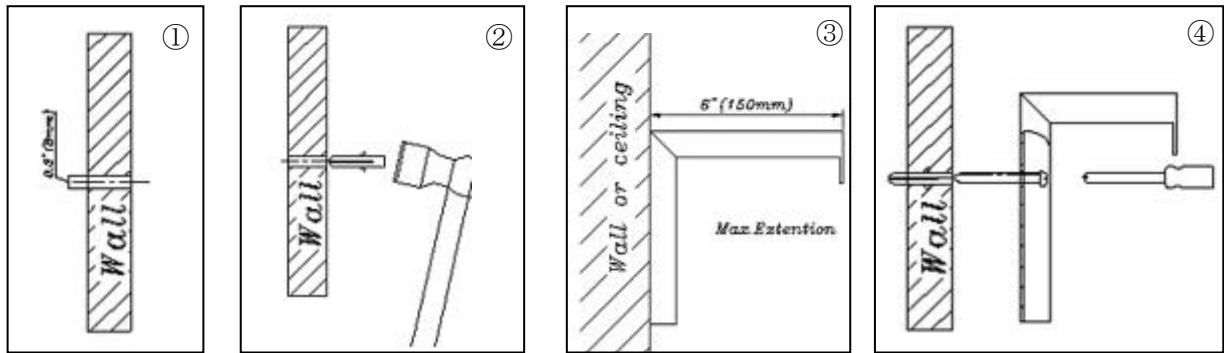
2. 6" (L) bracket dimensions



3. 12" (L) bracket dimensions



4. Installation on Drywall Wall/Ceiling Using Drywall Anchors if Studs are Not Located

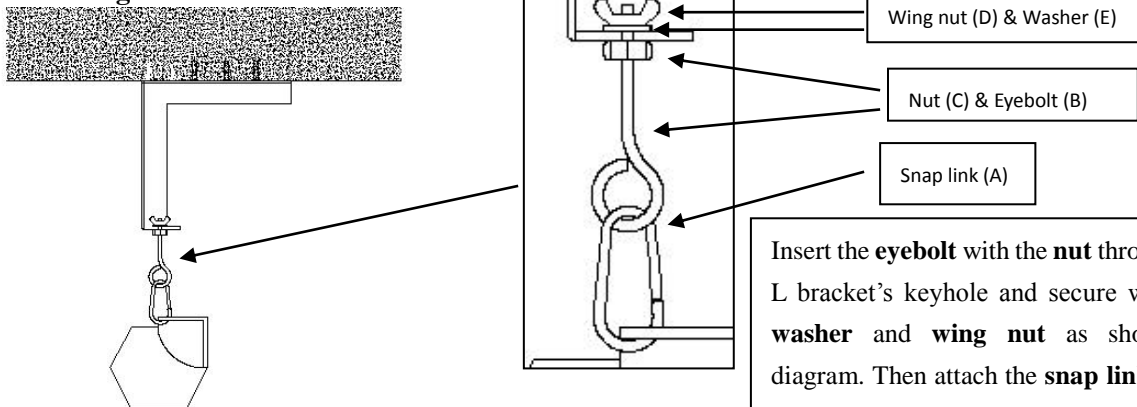


Instructions for mounting (L) bracket to the wall/ceiling.

- ① Drill hole.
- ② Insert flangeless anchor into predrilled hole.
- ③ Place (L) bracket into predrilled hole.
- ④ Insert pan head Phillips screw into pre-drilled hole for (L) bracket mounting.

5. Examples for Hanging your Elite Screen with the (L) Brackets on a Wall or Ceiling

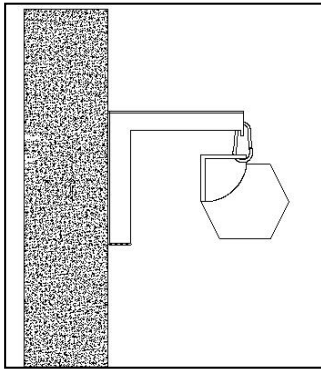
1. Ceiling Installation



Insert the **eyebolt** with the **nut** through the L bracket's keyhole and secure with the **washer** and **wing nut** as shown in diagram. Then attach the **snap link** to the **eyebolt**. The snap link then attaches to the screen's end caps keyhole or d-ring.

2. Wall Installation

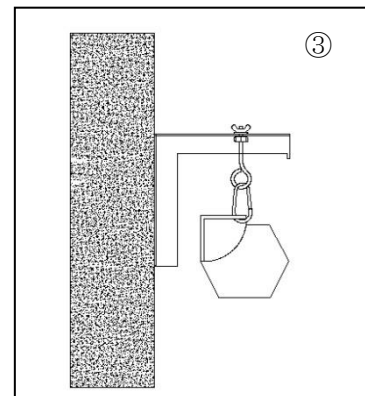
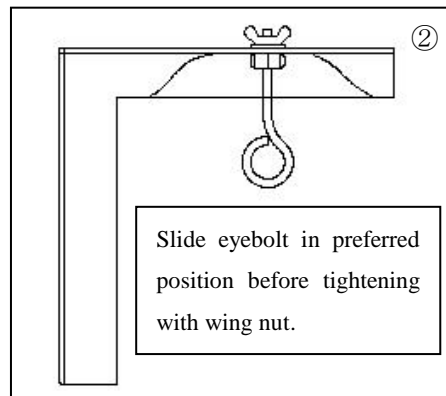
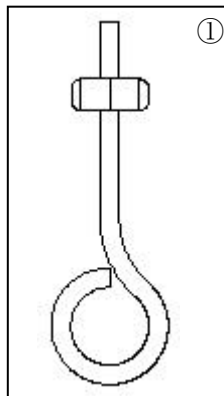
Method 1:



Hang the screen on the front of the bracket with the **snap link**.

Method 2:

1. Insert the **nut** in the **eyebolt**.
2. Put the eyebolt through the L bracket's top opening and secure it with the **washer** and **wing nut**.
3. Hang the screen on the **eyebolt** with the **snap link**



For more information, technical support or your local Elite Screens contact, please visit www.elitescreens.com