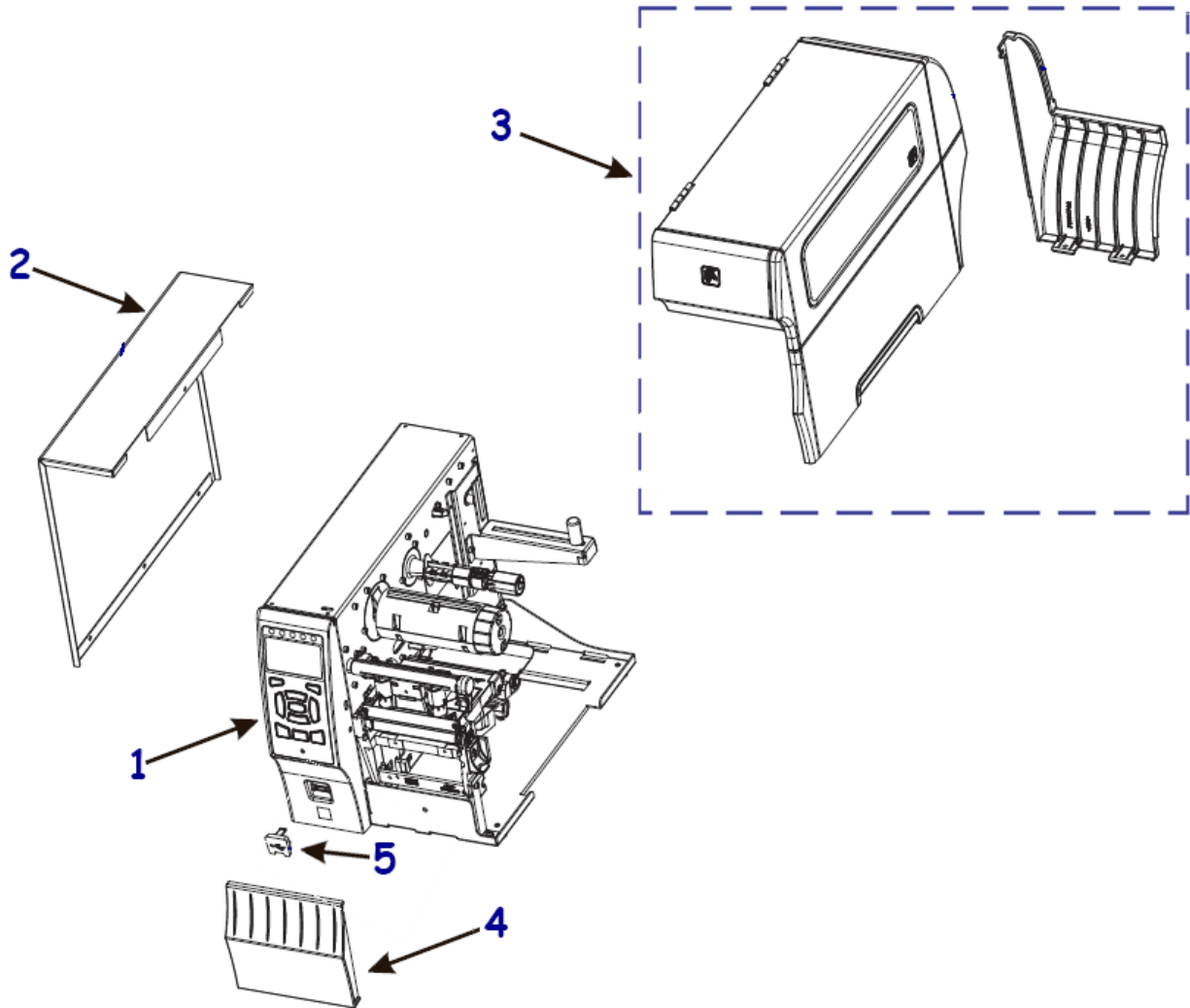


# ZT400 Series Parts Catalog

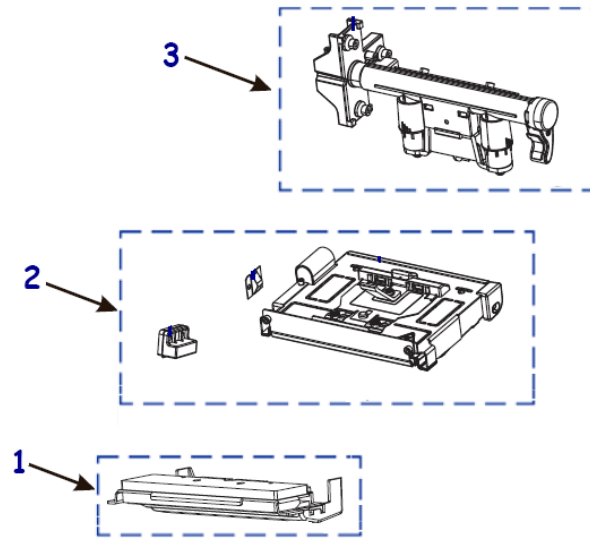
## Outer Casing Components



Item Number	Description	Part Number	Kit Quantity
1	Kit Control Panel ZT410	P1058930-001	1
1	Kit Control Panel ZT420	P1058930-041	1
2	Kit Electronics Cover ZT400 Series	P1058930-003	1
3	Kit Media Cover (includes window) ZT410	P1058930-004	1
3	Kit Media Cover (includes window) ZT420	P1058930-005	1
	Kit Window for Media Cover ZT400 Series	P1058930-008	1
4	Kit Front Lower Panels ZT410 (includes tear and peel panels)	P1058930-006	1
4	Kit Front Lower Panels ZT420 (includes tear and peel panels)	P1058930-007	1
5	Kit Cover for USB port (Qty 3) ZT400 Series	P1058930-002	3

**ZT400 Series Parts Catalog**

**Print Mechanism Components**

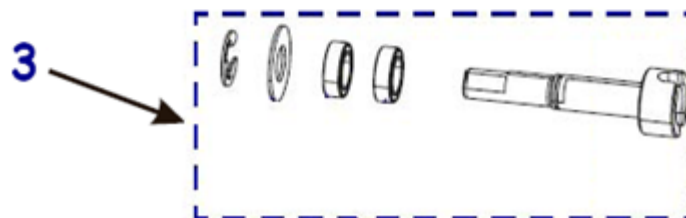
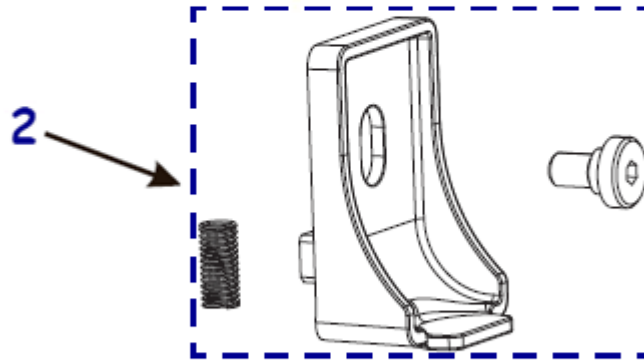
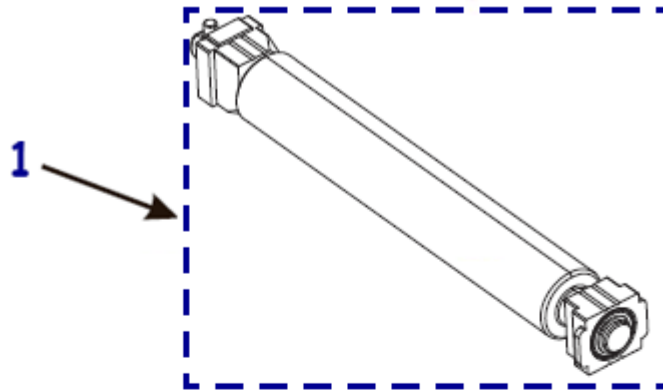


Item Number	Description	Part Number	Kit Quantity
1	Kit Printhead 203 dpi ZT410	P1058930-009	1
1	Kit Printhead 300 dpi ZT410	P1058930-010	1
1	Kit Printhead 600 dpi ZT410	P1058930-011	1
1	Kit Printhead 203 dpi ZT420	P1058930-012	1
1	Kit Printhead 300 dpi ZT420	P1058930-013	1
2	Kit Thermal Transfer Print Mechanism ZT410 (includes ribbon sensor with cable, printhead cables, ground contact and magnets)	P1058930-016	1
2	Kit Thermal Transfer Print Mechanism ZT420 (includes ribbon sensor with cable, printhead cables, ground contact and magnets)	P1058930-017	1
3	Kit Toggle Bar (includes lift strap) ZT410	P1058930-018	1
3	Kit Toggle Bar (includes lift strap) ZT420	P1058930-019	1
	Kit Ribbon Strip Plate and Ribbon Static Brush ZT410	P1058930-020	1
	Kit Ribbon Strip Plate and Ribbon Static Brush ZT420	P1058930-021	1
	Kit Magnets for holding the Print Mechanism open	P1058930-082	1
	Kit Ground Contact ZT400 Series	P1058930-083	1

**Printhead dpi conversion kits**

Item Number	Description	Part Number	Kit Quantity
	Kit Convert to 300 dpi ZT410	P1058930-022	1
	Kit Convert to 203 dpi ZT410	P1058930-023	1
	Kit Convert to 600 dpi ZT410	P1058930-024	1
	Kit Convert to 300 dpi ZT420	P1058930-025	1
	Kit Convert to 203 dpi ZT420	P1058930-026	1

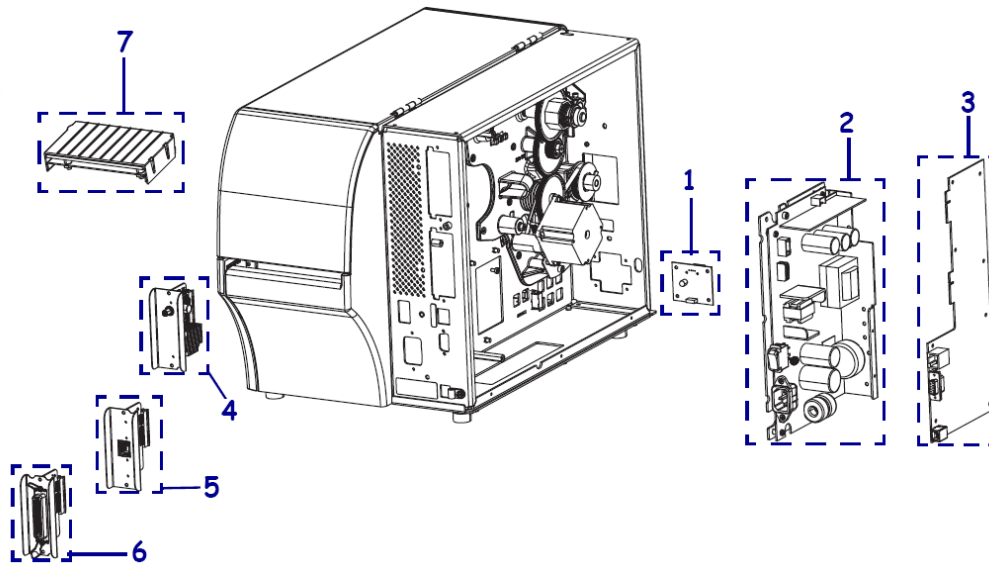
**Platen Roller**



Item Number	Description	Part Number	Kit Quantity
1	Kit Platen Roller ZT410	P1058930-080	1
1	Kit Platen Roller ZT420	P1058930-081	1
2	Kit Lock/Retainer for the Platen Roller ZT400 Series	P1058930-027	1
3	Kit Coupler for Platen Roller ZT400 Series	79862M	1

# ZT400 Series Parts Catalog

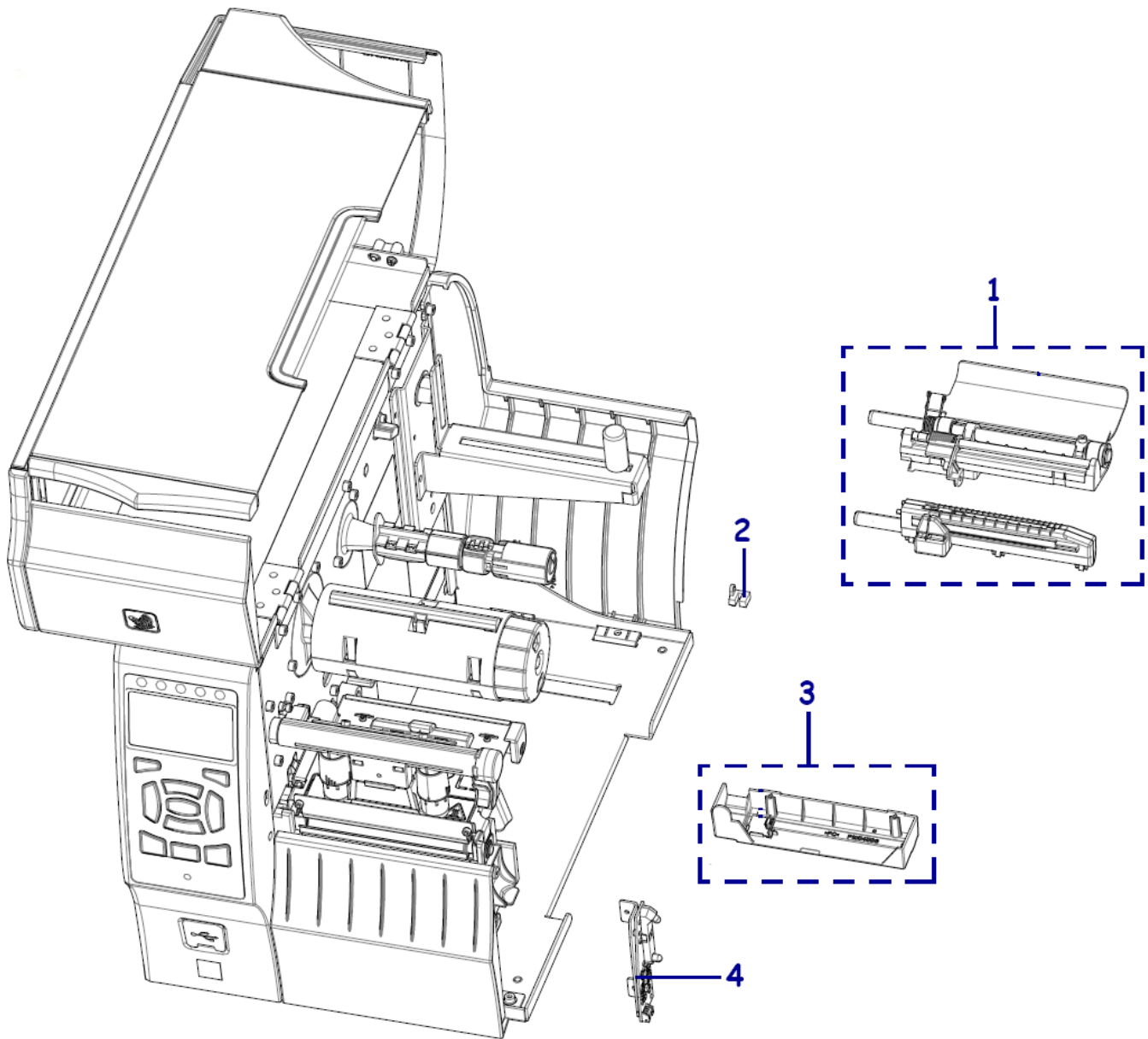
## Electronics



Item Number	Description	Part Number	Kit Quantity
1	Kit USB PCBA ZT400 Series	P1058930-029	1
2	Kit Power Supply ZT400 Series	P1058930-032	1
3	Kit Main Logic Board ZT400 Series	P1058930-030	1
	Kit Mounting Bracket for the Main Logic Board ZT400 Series	P1058930-031	1
4	Kit ZebraNet Internal Wireless 802.11 n radio ZT400 Series USA & Canada	P1058930-073A	1
4	Kit ZebraNet Internal Wireless 802.11 n radio ZT400 Series Japan	P1058930-073B	1
4	Kit ZebraNet Internal Wireless 802.11 n radio ZT400 Series Global (Europe, Asia, South America, Middle East, Africa, etc... and all nations that are NOT USA, Canada or Japan)	P1058930-073C	1
5	Kit Internal Printserver (Ethernet port) ZT400 Series	P1058930-074	1
6	Kit Parallel Port ZT400 Series	P1058930-075	1
7	Kit RFID Module USA & Canada ZT400 Series	P1058930-500A	1
7	Kit RFID Module Japan ZT400 Series	P1058930-500B	1
7	Kit RFID Module Global (All countries except USA, Canada, Japan) ZT400 Series	P1058930-500C	1
	Kit Replacement RFID Cables and Hardware ZT400 Series	P1058930-503	1
	Kit Shutdown Power Module ZT400 Series	P1058930-033	1
	Kit Light Assemblies (Includes 1 Print Mechanism Light & 1 Media Light)	P1058930-079	2
	Kit Replacement Antenna for 802.11n Radio	P1037974-053	1
	Kit Electronics Cables ZT400 Series	P1058930-034	1
	USA Power Cord	46693	1
	Europe Power Cord	46629	1
	UK Power Cord	46637	1
	Japan Power Cord	37609	1
	China Power Cord	47612	1

ZT400 Series Parts Catalog

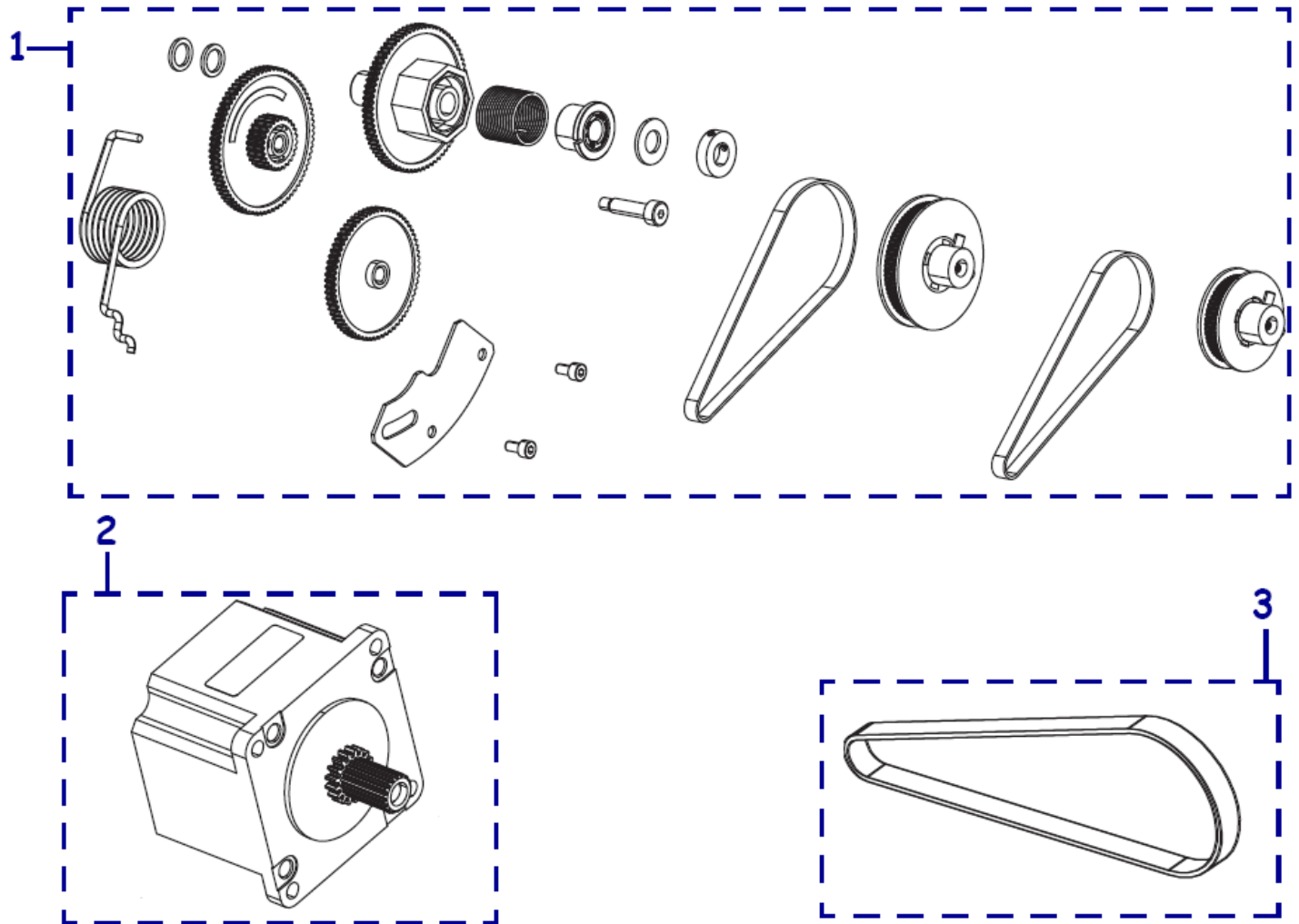
Sensors



Item Number	Description	Part Number	Kit Quantity
1	Kit Media Sensor ZT410	P1058930-035	1
1	Kit Media Sensor ZT420	P1058930-036	1
2	Kit Head Open Sensor ZT400 Series	P1058930-084	1
3	Kit Ribbon Sensor ZT410	P1058930-037	1
3	Kit Ribbon Sensor ZT420	P1058930-038	1
4	Kit Take Label Sensor ZT400 Series	P1058930-077	1

**ZT400 Series Parts Catalog**

**Drive System Components**

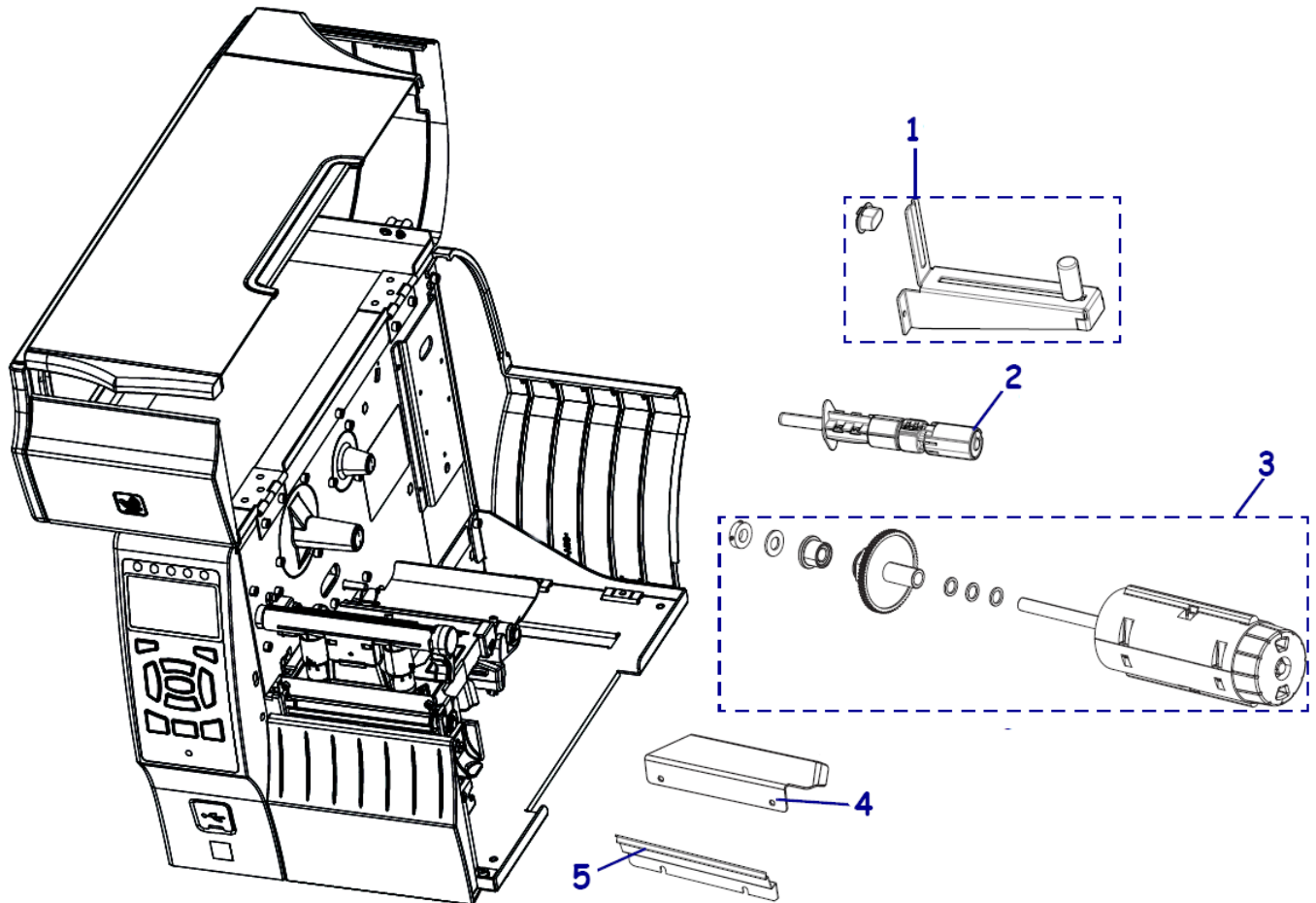


Item Number	Description	Part Number	Kit Quantity
1	Kit Drive System ZT400 Series (includes gears, belts and pulleys for 203 dpi and 300/600 dpi)	P1058930-039	1
2	Kit Drive Motor ZT400 Series	P1058930-040	1
3	Kit Drive Belt 203 dpi ZT400 Series	79866M	1
3	Kit Drive Belt 300 dpi and 600 dpi ZT400 Series	79867M	1

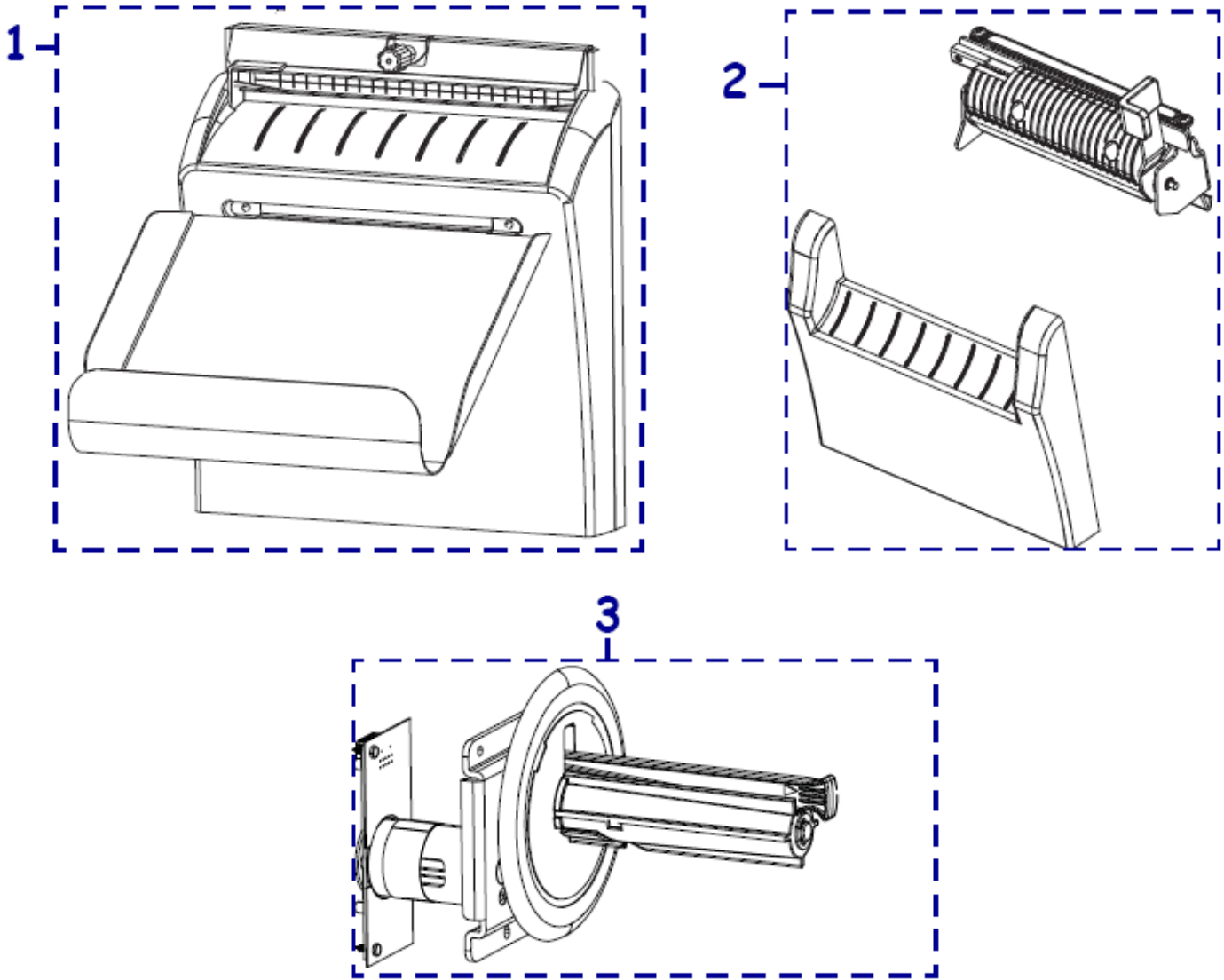


# ZT400 Series Parts Catalog

## Media Path Components



Item Number	Description	Part Number	Kit Quantity
1	Kit Standard Media Hanger for 3" (76mm) diameter media cores ZT410	P1058930-042	1
	Kit Media Hanger for 1" (25mm) diameter media cores ZT410 only	P1058930-086	1
1	Kit Standard Media Hanger ZT420	P1058930-043	1
2	Kit Ribbon Supply Spindle ZT410	P1058930-085	1
2	Kit Ribbon Supply Spindle: For Ribbons Coated Inside Only ZT410	79830M	1
2	Kit Ribbon Supply Spindle ZT420	79829M	1
3	Kit Ribbon Take Up Spindle ZT410	P1058930-045	1
3	Kit Ribbon Take Up Spindle ZT420	P1058930-046	1
4	Kit Media Shelf ZT410	P1058930-047	1
4	Kit Media Shelf ZT420	P1058930-048	1
5	Kit Tear Bar ZT410	79837M	1
5	Kit Tear Bar ZT420	79838M	1

**Field Installable Media Handling Options: Cutter - Peel - Liner Take Up**


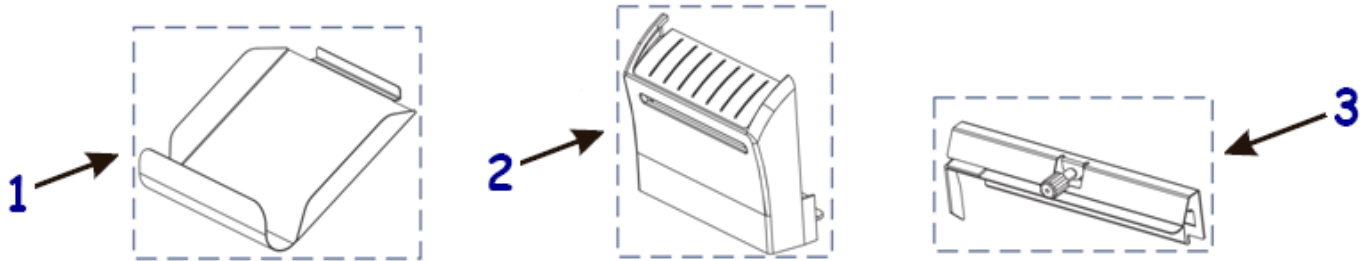
Item Number	Description	Part Number	Kit Quantity
1	Kit Cutter Option ZT410	P1058930-049	1
1	Kit Cutter Option ZT420	P1058930-050	1
2	Kit Peel Assembly ZT410	P1058930-076	1
2	Kit Peel Assembly ZT420	P1058930-051	1
3	Kit Liner Take Up Spindle & Motor ZT410 (To enable liner take up functionality, also purchase the P1058930-076 peel assembly)	P1058930-052	1



**ZT400 Series Parts Catalog**

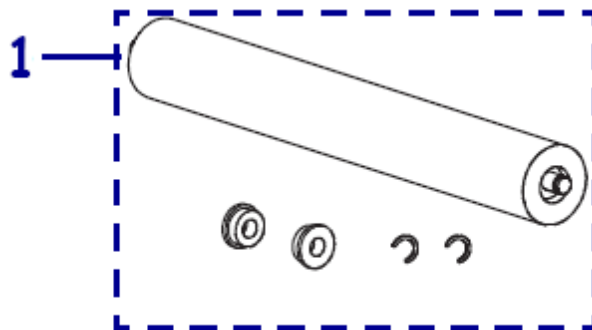
**Replacement Components for Cutter and Peel Options**

Cutter Replacement Components



Item Number	Description	Part Number	Kit Quantity
1	Kit Catch Tray for Cutter ZT410	77041	1
1	Kit Catch Tray for Cutter ZT420	77997	1
2	Kit Cover with PCBA for Cutter ZT410	P1058930-053	1
2	Kit Cover with PCBA for Cutter ZT420	P1058930-054	1
3	Kit Guard with Static Brush for Cutter ZT410	79864M	1
3	Kit Guard with Static Brush for Cutter ZT420	79865M	1

Peel Assembly Replacement Components

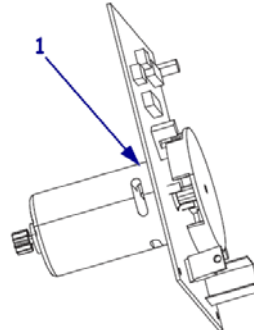


Item Number	Description	Part Number	Kit Quantity
1	Kit Roller for the Peel Assembly ZT410	77197M	1
1	Kit Roller for the Peel Assembly ZT420	77727M	1

# ZT400 Series Parts Catalog

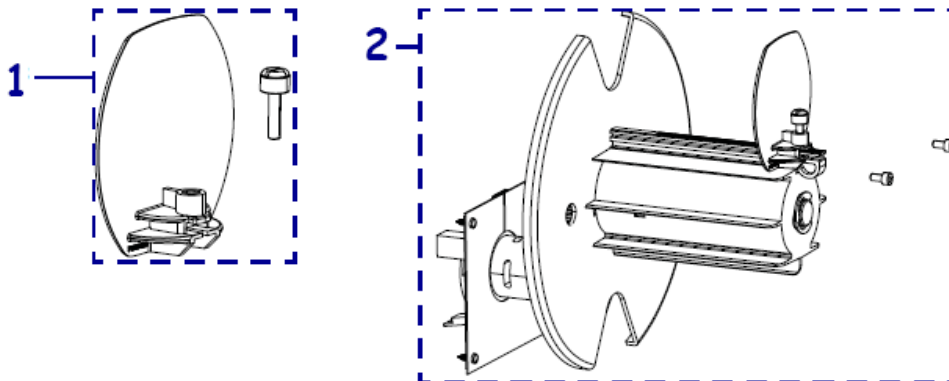
## Replacement Components for Liner Take-Up and Media Rewind Options

### Liner Take-Up (LTU) Replacement Components



Item Number	Description	Part Number	Kit Quantity
1	Kit Motor and PCBA for Liner Take Up Spindle ZT410	G34112M	1

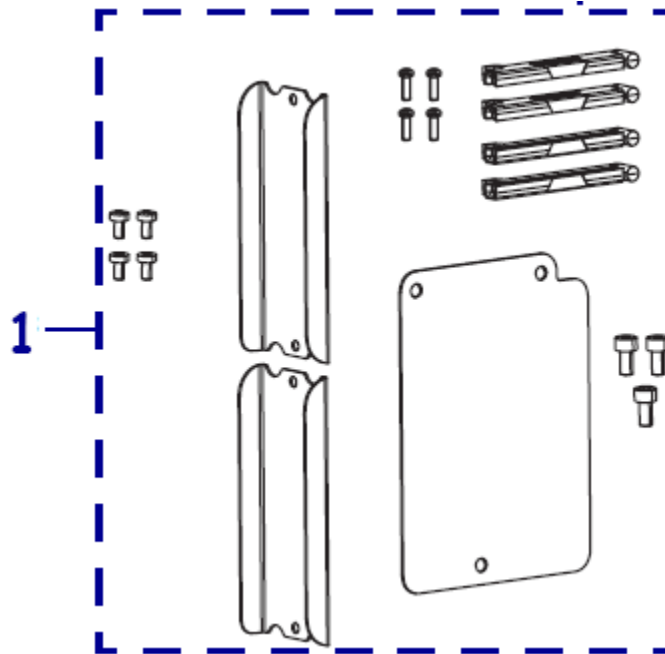
### Media Rewind Replacement Components



Item Number	Description	Part Number	Kit Quantity
1	Kit Media Guard for Media Rewind Spindle ZT400 Series	P1058930-057	1
2	Kit Media Rewind Spindle (includes Motor and PCBA) ZT410	P1058930-058	1
2	Kit Media Rewind Spindle (includes Motor and PCBA) ZT420	P1058930-059	1
	Kit Motor and PCBA for Media Rewind Spindle ZT410	G34110M	1
	Kit Motor and PCBA for Media Rewind Spindle ZT420	G34111M	1
	Kit Steer Roller for Media Rewind ZT410	P1058930-055	1
	Kit Steer Roller for Media Rewind ZT420	P1058930-056	1
	Kit Door and Trim for Media Rewind ZT410	P1058930-060	1
	Kit Door and Trim for Media Rewind ZT420	P1058930-061	1

# ZT400 Series Parts Catalog

## Covers & Miscellaneous Hardware



Item Number	Description	Part Number	Kit Quantity
1	Kit Covers/Mounts for Options ZT400 Series	P1058930-062	1
	Kit Assorted Hardware ZT400 Series (various screws and washers used throughout the printer)	P1058930-065	1
	Kit Feet on bottom of printer (Qty 20) ZT400 Series	P1058930-078	20

## Packaging Materials for Printer Shipping

Item Number	Description	Part Number	Kit Quantity
	Kit Packaging for ZT410 (Qty 1)	P1058930-066	1
	Kit Packaging for ZT410 (Qty 8)	P1058930-067	8
	Kit Packaging for Media Rewind Versions of ZT410 (Qty 1)	P1058930-070	1
	Kit Packaging for ZT420 (Qty 1)	P1058930-068	1
	Kit Packaging for ZT420 (Qty 8)	P1058930-069	8
	Kit Packaging for Media Rewind Versions of ZT420 (Qty 1)	P1058930-071	1