

Quick Start Guide: DS-2CD6W32FWD-IVSD Ultra-Wide Panoramic Corner Mount Network Camera for Detention Facilities

Hikvision USA Inc., 18639 Railroad St., City of Industry, CA 91748, USA • Hikvision Canada, 4848 rue Levy, Saint Laurent, Quebec, Canada, H4R 2P1
Telephone: +1-909-895-0400 • Toll Free in USA: +1-866-200-6690 • E-Mail: sales.usa@hikvision.com • www.hikvision.com

© 2018 Hikvision USA Inc. • All Rights Reserved • Any and all information, including, among others, wordings, pictures, and graphs are the properties of Hangzhou Hikvision Digital Technology Co., Ltd., or its subsidiaries (hereinafter referred to as "Hikvision").

This user manual (hereinafter referred to as "Manual") cannot be reproduced, changed, translated, or distributed, partially or wholly, by any means, without the prior written permission of Hikvision. Unless otherwise stipulated, Hikvision does not make any warranties, guarantees, or representations, express or implied, regarding the Manual.

About this Manual: The Manual includes instructions for using and managing the product. Pictures, charts, images, and all other information hereinafter are for description and explanation only. The information contained in the Manual is subject to change, without notice, due to firmware updates or other reasons. Please find the latest version on the company Website (<http://www.hikvision.com/us>). Use this Manual under the guidance of professionals.

Trademarks Acknowledgement

HIKVISION and other Hikvision trademarks and logos are the properties of Hikvision in various jurisdictions. Other trademarks and logos mentioned below are the properties of their respective owners.

Legal Disclaimer: TO THE MAXIMUM EXTENT PERMITTED BY APPLICABLE LAW, THE PRODUCT DESCRIBED, WITH ITS HARDWARE, SOFTWARE, AND FIRMWARE, IS PROVIDED "AS IS," WITH ALL FAULTS AND ERRORS, AND HIKVISION MAKES NO WARRANTIES, EXPRESS OR IMPLIED, INCLUDING WITHOUT LIMITATION, MERCHANTABILITY, SATISFACTORY QUALITY, FITNESS FOR A PARTICULAR PURPOSE, AND NON-INFRINGEMENT OF THIRD PARTY. IN NO EVENT WILL HIKVISION, ITS DIRECTORS, OFFICERS, EMPLOYEES, OR AGENTS BE LIABLE TO YOU FOR ANY SPECIAL, CONSEQUENTIAL, INCIDENTAL, OR INDIRECT DAMAGES, INCLUDING, AMONG OTHERS, DAMAGES FOR LOSS OF BUSINESS PROFITS, BUSINESS INTERRUPTION, OR LOSS OF DATA OR DOCUMENTATION, IN CONNECTION WITH THE USE OF THIS PRODUCT, EVEN IF HIKVISION HAS BEEN ADVISED OF THE POSSIBILITY OF SUCH DAMAGES.

REGARDING TO THE PRODUCT WITH INTERNET ACCESS, THE USE OF PRODUCT SHALL BE WHOLLY AT YOUR OWN RISKS. HIKVISION SHALL NOT TAKE ANY RESPONSIBILITIES FOR ABNORMAL OPERATION, PRIVACY LEAKAGE, OR OTHER DAMAGES RESULTING FROM CYBER ATTACK, HACKER ATTACK, VIRUS INSPECTION, OR OTHER INTERNET SECURITY RISKS; HOWEVER, HIKVISION WILL PROVIDE TIMELY TECHNICAL SUPPORT IF REQUIRED.

SURVEILLANCE LAWS VARY BY JURISDICTION. CHECK ALL RELEVANT LAWS IN YOUR JURISDICTION BEFORE USING THIS PRODUCT IN ORDER TO ENSURE THAT YOUR USE CONFORMS TO THE APPLICABLE LAW. HIKVISION SHALL NOT BE LIABLE IN THE EVENT THAT THIS PRODUCT IS USED FOR ILLEGITIMATE PURPOSES.

IN THE EVENT OF ANY CONFLICTS BETWEEN THIS MANUAL AND THE APPLICABLE LAW, THE LATER PREVAILS.

Regulatory Information

FCC Information

FCC Compliance: This equipment has been tested and found to comply with the limits for a digital device, pursuant to part 15 of the FCC Rules. These limits are designed to provide reasonable protection against harmful interference when the equipment is operated in a commercial environment. This equipment generates, uses, and can radiate radio frequency energy and, if not installed and used in accordance with the instruction manual, may cause harmful interference to radio communications. Operation of this equipment in a residential area is likely to cause harmful interference in which case the user will be required to correct the interference at his own expense.

FCC Conditions: This device complies with part 15 of the FCC Rules. Operation is subject to the following two conditions:

1. This device may not cause harmful interference.
2. This device must accept any interference received, including interference that may cause undesired operation.

EU Conformity Statement



This product and, if applicable, the supplied accessories too are marked with "CE" and comply therefore with the applicable harmonized European standards listed under the EMC Directive 2004/108/EC, the RoHS Directive 2011/65/EU.



2012/19/EU (WEEE Directive): Products marked with this symbol cannot be disposed of as unsorted municipal waste in the European Union. For proper recycling, return this product to your local supplier upon the purchase of equivalent new equipment, or dispose of it at designated collection points. For more information see: www.recyclethis.info



2006/66/EC (battery directive): This product contains a battery that cannot be disposed of as unsorted municipal waste in the European Union. See the product documentation for specific battery information. The battery is marked with this symbol, which may include lettering to indicate cadmium (Cd), lead (Pb), or mercury (Hg). For proper recycling, return the battery to your supplier or to a designated collection point. For more information see: www.recyclethis.info.

Industry Canada ICES-003 Compliance: This device meets the CAN ICES-3 (A)/NMB-3(A) standards requirements.

Safety Instruction: These instructions are intended to ensure that the user uses the product correctly to avoid danger or property loss. The precautions are divided into "Warnings" and "Cautions."



WARNINGS: Follow these safeguards to prevent serious injury or death; serious injury or death may occur if any of the warnings are neglected.

- Proper configuration of all passwords and other security settings is the responsibility of the installer and/or end-user.
- In the use of the product, you must be in strict compliance with the electrical safety regulations of the nation and region. Refer to technical specifications for detailed information.
- Input voltage should meet both the SELV (Safety Extra Low Voltage) and the Limited Power Source with 24 VAC or 12 VDC according to the IEC60950-1 standard. Refer to technical specifications for detailed information.
- Do not connect several devices to one power adapter as adapter overload may cause over-heating or a fire hazard.
- Make sure that the plug is firmly connected to the power socket. When the product is mounted on wall or ceiling, the device shall be firmly fixed.
- If smoke, odor, or noise rise from the device, turn off the power at once and unplug the power cable, and then contact the service center.

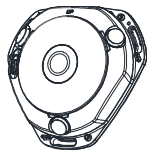


CAUTIONS: Follow these precautions to prevent potential injury or material damage; injury or equipment damage may occur if any of the cautions are neglected.

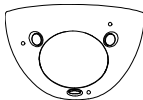
- Make sure the power supply voltage is correct before using the device.
- Do not drop the device or subject it to physical shock.
- If cleaning is necessary, use clean cloth with a bit of ethanol and wipe it gently. If the device will not be used for an extended period, protect it from dirt.
- Do not place the device in extremely hot, cold, dusty, or damp locations, and do not expose it to high electromagnetic radiation. Do not operate product in outside of its stated environmental specs.
- To avoid heat accumulation, good ventilation is required for the operating environment.
- Keep the device away from liquids while in use.
- While in delivery, the device shall be packed in its original packing, or packing of the same durability.
- Regular part replacement: some equipment parts (e.g., electrolytic capacitor) shall be replaced regularly according to their average endurance time. The average time varies because of differences between operating environments and usage history, so regular checking is recommended for all users. Contact your dealer for more details.
- Improper use or replacement of the battery may result in hazard of explosion. Replace with the same or equivalent type only. Dispose of used batteries according to the instructions provided by the battery manufacturer.
- If the product does not work properly, contact your dealer or the nearest service center. Never attempt to disassemble the device yourself. (We shall not assume any responsibility for problems caused by unauthorized repair or maintenance.)

WHAT'S IN THE BOX

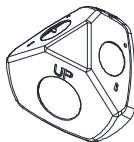
Make sure the following items are in your box:



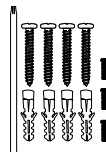
DS-2CD6W32FWD-IVSD Camera



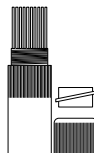
Cover
(attached)



Corner Mount Bracket
(attached)



4 x Wall Screws/Anchors
3 x Security Screws
Security Screw Tool



Cable Seal Kit

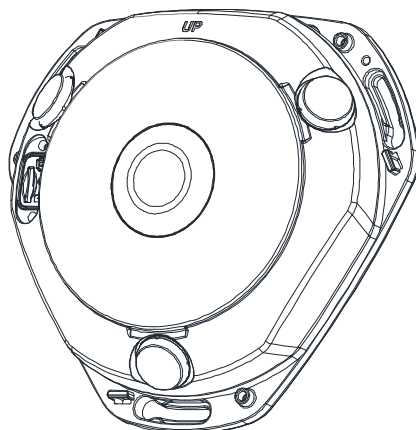


Quick Start
Guide

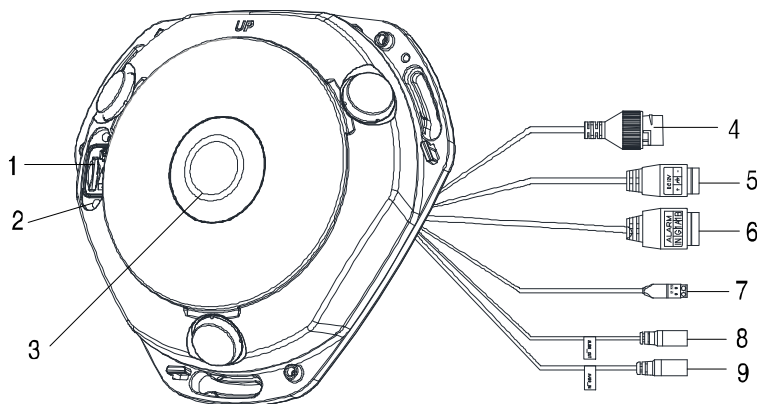


CD

1 OVERVIEW



Camera Overview (without Cover)



Disassembly of Camera

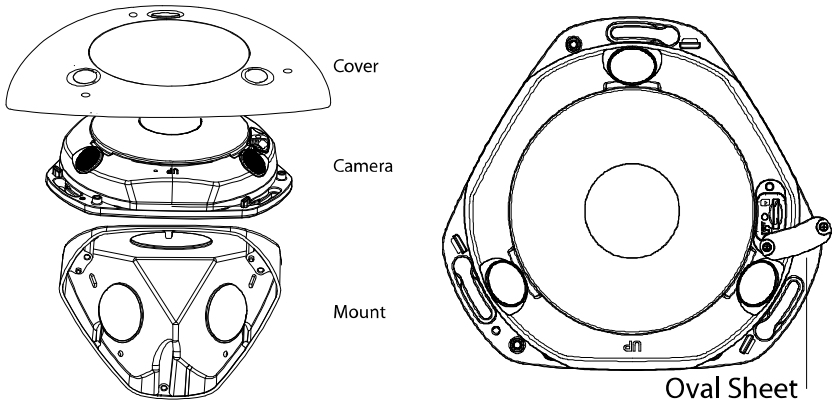
Table 1-1 Description of Overview

1	Memory Card Slot	4	Network Interface	7	RS-485 Interface
2	Reset Button	5	12 VDC Power Interface	8	Audio Out
3	Camera Lens	6	Alarm Interfaces	9	Audio In

2

DISASSEMBLING THE CAMERA

1. Loosen the lock screw on the camera cover.
2. Remove the camera cover to show the oval dismantable sheet.



Take Apart the Camera, Cover, and Mount

Move the Oval Sheet Aside

3. Loosen the two screws on the dismantable part.
4. Set the oval sheet aside to expose the reset button and the microSD card slot.

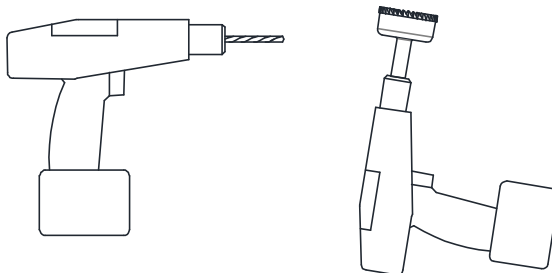
NOTE: Press **Reset** for 10s while the camera is powering on or rebooting to restore the default settings, including user name, password, IP address, port no., etc.

5. Insert a microSD card and replace the oval sheet.

3

BEFORE STARTING INSTALLATION

- Make sure the device in the package is in good condition and all the assembly parts are included.
- The standard power supply is 12 VDC. Make sure your power supply matches your camera.
- Make sure all the related equipment is powered off during the installation.
- Check the product specifications for the installation environment.
- Make sure that the wall can withstand at least four times the weight of the camera and the bracket.
- Prepare the following tools:



Different Sized Electric Drills

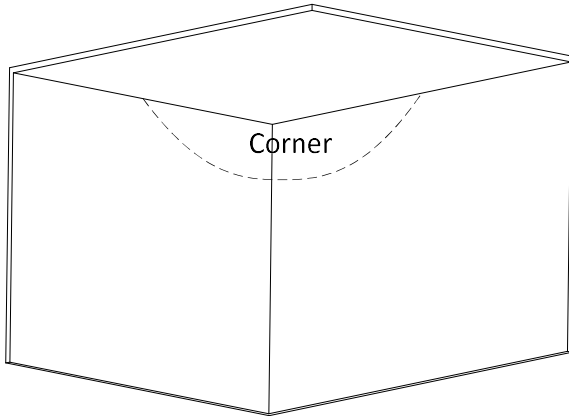
4

INSTALLATION

- **Corner Mounting**

Before You Start:

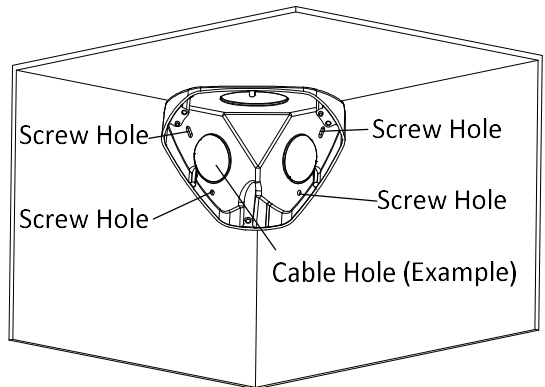
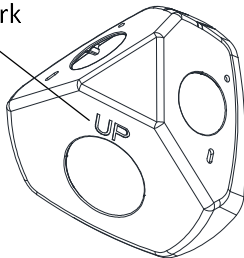
Make sure there are three mutual perpendicular surfaces and the desired mounting position is proper for corner mounting. See figure below.



Corner Mounting Position

1. Install the bracket in the corner.
 - 1). Place the bracket in the corner, making sure the UP-marked side meets the ceiling.
 - 2). Mark the four screw holes with pencil on the wall, and pick a spot to route the cables and mark it as the cable hole. See figure below.

UP Mark

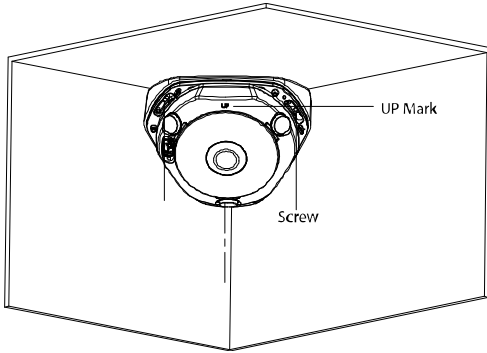


Divide Drill Template

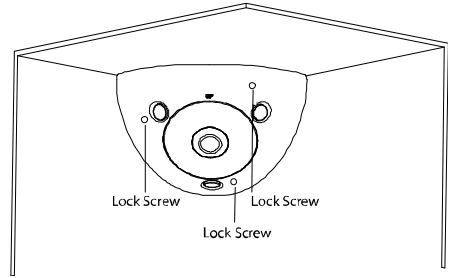
- 3). Drill four screw holes and the cable hole in the wall.
- 4). Mount the bracket in the corner with the supplied screws.
2. Route the cables through the cable hole and connect.

4 INSTALLATION (continued)

3. Make sure the UP-marked side is closest to the ceiling, and then attach the camera to the bracket with the three M4 security screws.



Mount the Camera to the Bracket



Secure the Camera Cover

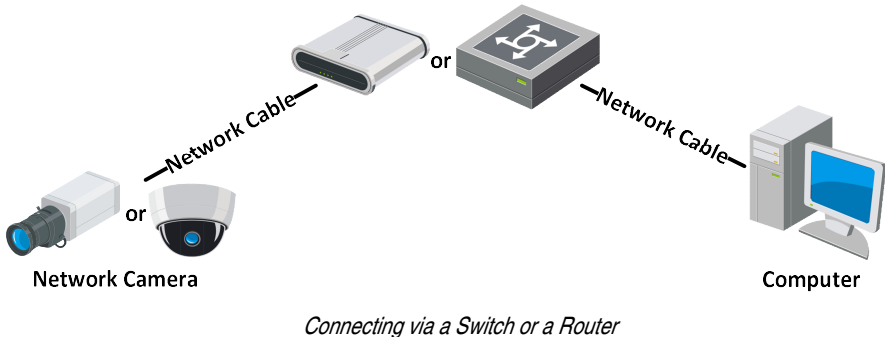
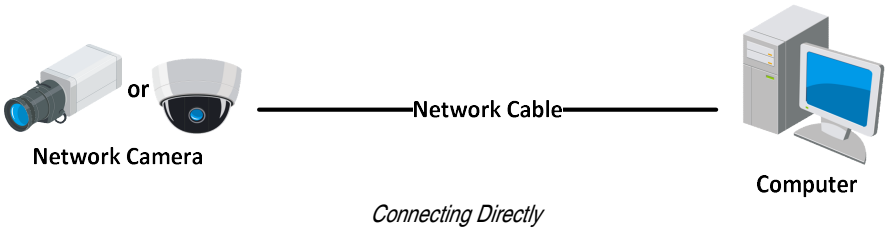
4. Re-attach the cover to the camera with the security screws.

5 CONNECTING NETWORK CAMERA TO THE LAN

NOTE: You shall acknowledge that the use of the product with Internet access might be under network security risks. For avoidance of any network attacks and information leakage, please strengthen your own protection. If the product does not work properly, contact your dealer or the nearest service center.

- **Wiring**

Connect the camera to the network according to the following figures:



6

ACTIVATING THE CAMERA

You must activate the camera by setting a strong password for it before you can use it.

Activation via Web browser, via SADP, and via client software are all supported. We will take activation via SADP software and activation via a Web browser as examples to introduce the camera activation. Refer to the network camera user manual for activation via client software.

- **Activation via Web Browser**

1. Power on the camera.
2. Connect the camera to your computer or the switch/router that your computer connects to.
3. Input the IP address into the address bar of the Web browser.
4. Press **Enter** to enter the activation interface.

NOTES: The default IP address of the camera is 192.168.1.64.

The computer and the camera should be on the same subnet.

For cameras that enable DHCP by default, you must use the SADP software to search for the IP address.

Activation

User Name admin

Password ✓ Strong

Valid password range [8-16]. You can use a combination of numbers, lowercase, uppercase and special character for your password with at least two kinds of them contained.

Confirm

OK

Activation Interface (Web)

5. Create a password and input the password into the password field.



STRONG PASSWORD RECOMMENDED – We highly recommend that you create a strong password of your own choosing (using a minimum of eight characters, including upper case letters, lower case letters, numbers, and special characters) in order to increase the security of your product. We also recommend that you reset your password regularly. Especially in high security systems, resetting the password monthly or weekly can better protect your product.

6. Confirm the password.
7. Click **OK** to save the password and enter the live view interface.

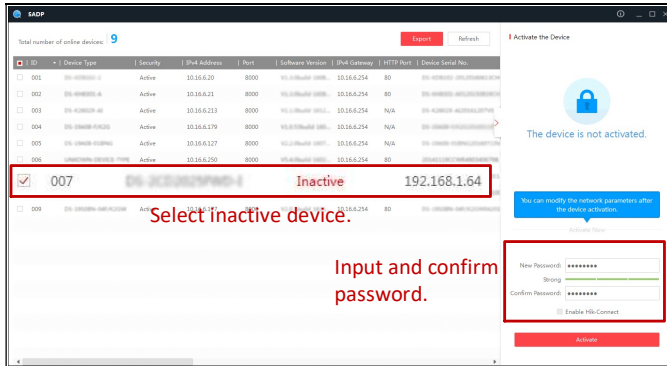
- **Activation via SADP (Search Active Device Protocol) Software**

Use the SADP software to detect online devices, activate cameras, and reset passwords.

The SADP software is on the supplied disk or Hikvision Web site (www.hikvision.com). Install it according to the prompts. Follow the camera activation steps (see camera user manual for two other activation methods).

6 ACTIVATING THE CAMERA (continued)

1. Run the SADP software to search for online devices.
2. Check the device status from the device list, and select the inactive device.



SADP Interface

NOTE: The SADP software supports activating the camera in batch. Refer to the SADP software user manual for details.

3. Create and input a password in the password field, and confirm the password.



STRONG PASSWORD RECOMMENDED – We highly recommend that you create a strong password of your own choosing (using a minimum of eight characters, including upper case letters, lower case letters, numbers, and special characters) in order to increase the security of your product. We also recommend that you reset your password regularly. Especially in high security systems, resetting the password monthly or weekly can better protect your product.

4. Click **Activate** to start activation.

You can check whether the activation is complete on the pop-up window. If activation failed, make sure that the password meets the requirement and try again.

- **Modifying the IP Address**

To view and configure the camera via a LAN (Local Area Network), connect the network camera to the same subnet as your PC.

Use the SADP software or client software to search and change the device IP address. We take modifying the IP Address via SADP software as an example to introduce IP address modification.

For IP address modification via client software, see the client software user manual.

1. Run the SADP software.
2. Select an active device.
3. Change the device IP address to the same subnet as your computer by modifying the IP address manually or checking the **Enable DHCP** checkbox.

6 ACTIVATING THE CAMERA (continued)

Modify Network Parameters

Enable DHCP

Device Serial No.: XX-XXXXXXXX-XXXXXXXXXXXXXXXXXX

IP Address: 192.168.1.64

Port: 8000

Subnet Mask: 255.255.255.0

Gateway: 192.168.1.1

IPv6 Address: ::

IPv6 Gateway: ::

IPv6 Prefix Length: 0

HTTP Port: 80

Security Verification

Admin Password:

Modify

[Forgot Password](#)

Modify the IP Address

4. Input the admin password and click **Modify** to activate the IP address modification.

The batch IP address modification is supported by SADP. See the SADP user manual for details.

7 ACCESSING VIA WEB BROWSER

System Requirements:

Operating System: Microsoft Windows XP SP1 and above

CPU: 2.0 GHz or higher

RAM: 1 GB or more

Display: 1024 × 768 resolution or higher

Web Browser: Internet Explorer 8.0 and above, Apple Safari 5.0.2 and above, Mozilla Firefox 5.0 and above, and Google Chrome 18 and above.

1. Open the Web browser.
2. In the browser address bar, input the IP address of the network camera and press the **Enter** key to enter the login interface.

7 ACCESSING VIA WEB BROWSER (continued)

NOTE: The default IP address is 192.168.1.64. It is recommended to change the IP address to the same subnet as your computer.

3. Input the user name and password.

1). The admin user should configure the device accounts and user/operator permissions properly. Delete unnecessary accounts and user/operator permissions.

NOTE: The device IP address locks if the admin user performs seven failed password attempts (five attempts for a user/operator).

4. Click **Login**.



Login Interface

5. Install the plug-in before viewing the live video and managing the camera. Follow the installation prompts to install the plug-in.

NOTE: You may have to close the Web browser to finish the plug-in installation.

[Please click here to download and install the plug-in. Close the browser when installing the plug-in.](#)

Download Plug-in

6. Re-open the Web browser after installing the plug-in.

7. Repeat steps 2 to 4 to log in.

NOTE: For detailed configuration instructions, see the network camera user manual.



First Choice for Security Professionals