

# Intel® Compute Card User Guide



## Before You Begin



### CAUTIONS

*The procedures in this user guide assume familiarity with the general terminology associated with personal computers and with the safety practices and regulatory compliance required for using and modifying electronic equipment.*

*Disconnect the computer from its power source and from any telecommunications link or network before performing any of the procedures described in this guide. Failure to disconnect power, telecommunications links, or networks before you open the computer or perform any procedures can result in personal injury or equipment damage. Some circuitry on the board can continue to operate even though the front panel power button is off.*

Follow these guidelines before you begin:

- Always follow the steps in each procedure in the correct order.
- Set up a log to record information about your computer, such as model, serial numbers, installed options, and configuration information.
- Electrostatic discharge (ESD) can damage components. Perform the procedures described in this chapter only at an ESD workstation using an antistatic wrist strap and a conductive foam pad. If such a station is not available, you can provide some ESD protection by wearing an antistatic wrist strap and attaching it to a metal part of the computer chassis.

## Observe Safety and Regulatory Requirements

If you do not follow these instructions, you increase your safety risk and the possibility of noncompliance with regional laws and regulations.

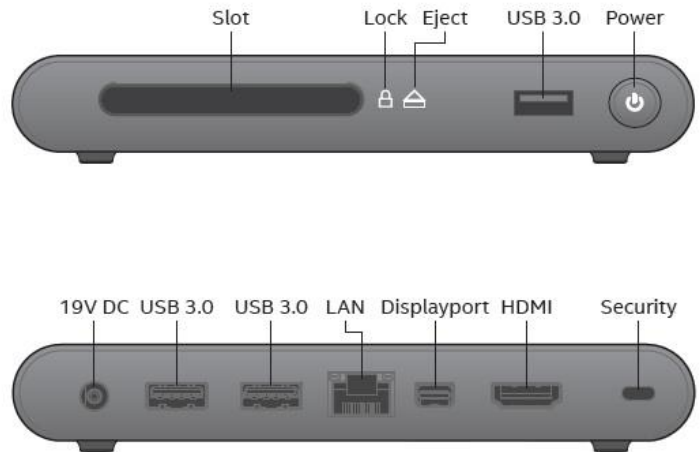
**This user guide includes setup and usage information for Intel® Compute Cards when used with the Intel® Compute Card Dock DK132EPJ.**

**Topics**

- Product descriptions
- Connect keyboard and mouse
- Connect to a network
- Connect to a display
- Connect power
- Attach the VESA bracket (optional)
- Secure dock with a cable lock
- Install an operating system
- Install driver and BIOS updates
- Locking and ejecting cards

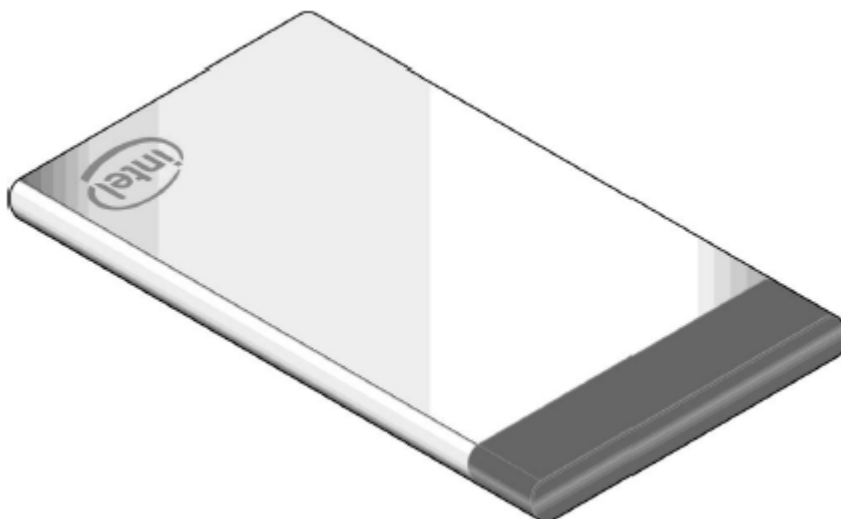
**Product Description (Dock)**

Symbol	Description
Slot	Slot for Intel Compute Card
Lock	Lock Indicator
Eject	Eject Button / Indicator
USB 3.0	One on front and two on back
Power	Power Button / Indicator
19V DC	Power input jack
LAN	Gigabit Ethernet port
Displayport	MiniDisplayPort connector
HDMI	HDMI (standard size) connector
Security	Security cable lock connector



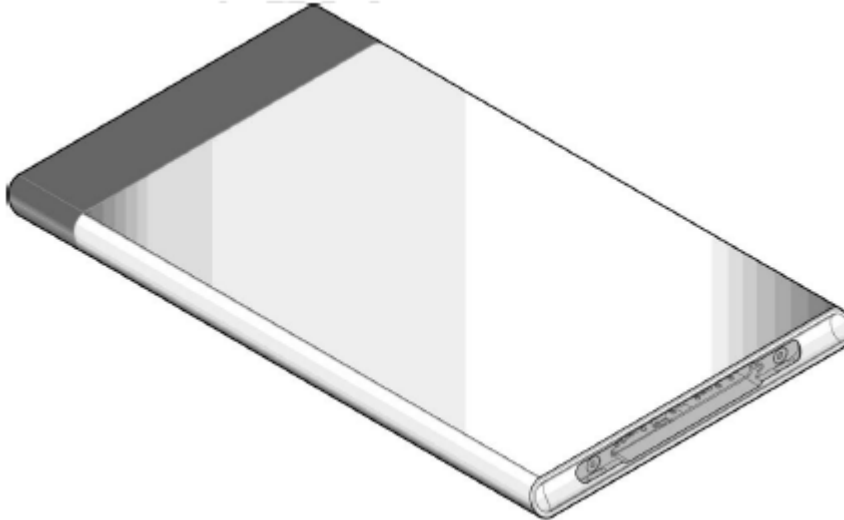
**Product Description (Cards)**

**Top-front view**

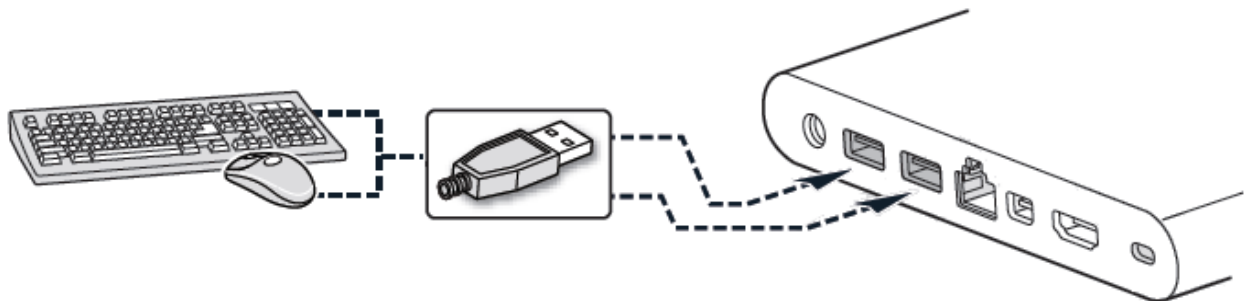


**Bottom-back view**

The two wireless antennas are located inside the black plastic end of the card.



## Connect a Keyboard and Mouse



Intel Compute Card supports any of the following:

- USB wired keyboard and mouse, connected to the ports on the dock
- USB wireless keyboard and mouse, using a USB dongle connected to a port on the dock.
- Bluetooth\* keyboard and mouse. (Follow the instructions that came with the keyboard and mouse to pair them to the Intel Compute Card's onboard Bluetooth device. You may need to temporarily connect a wired mouse/keyboard to the dock in order to pair Bluetooth devices.

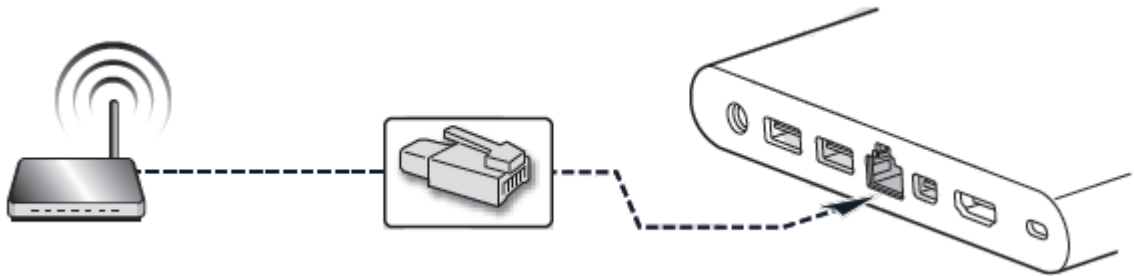
**Note:** Keyboard and mouse are not included.

Find tested keyboards and mice on the [Intel® Product Compatibility Tool](#).

## Connect to a Network

There are two options for connecting to a network.

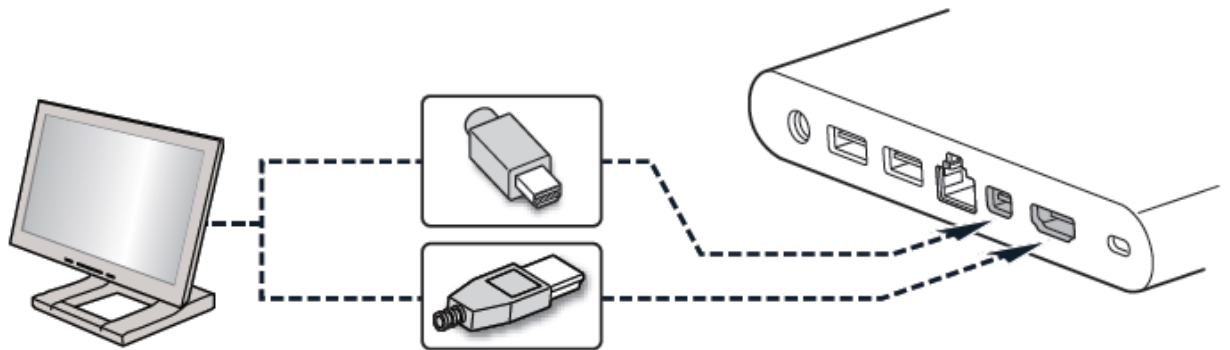
The Dock includes an RJ45 LAN connector for a wired Gigabit Ethernet network connection.



The Card includes wireless capability that you can use after installing an operating system and device drivers.

## Connect to a display

The Intel Compute Card Dock connects to the display using either the DisplayPort or HDMI connector on the back panel.

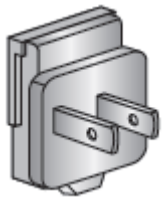
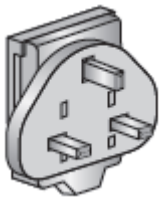
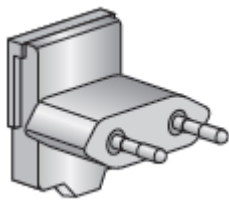
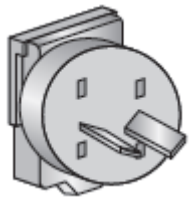
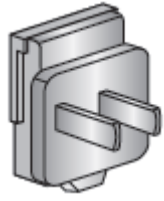
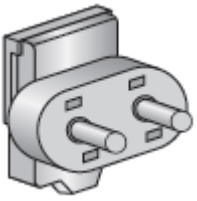
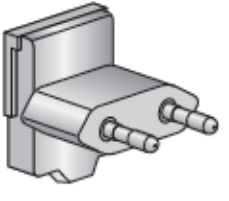


Find tested monitors and televisions on the [Intel® Product Compatibility Tool](#).

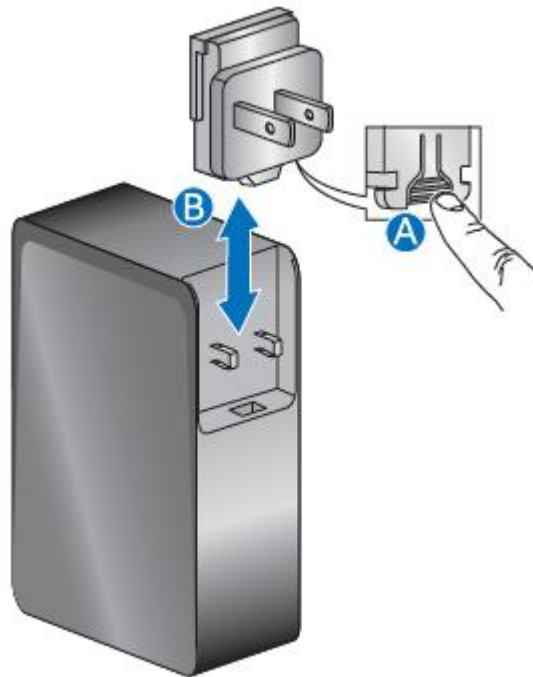
## Connect Power

Country-specific power plug attachments are included in the Intel Compute Card Dock box.

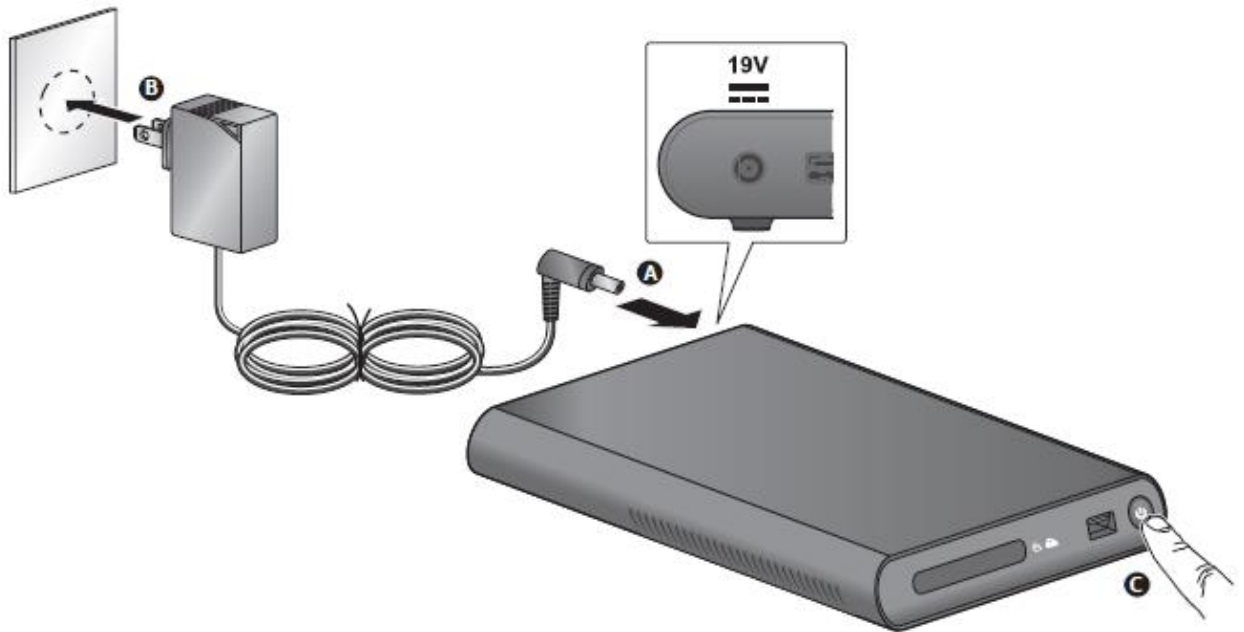
1. Choose the attachment for your region.

			
US – United States	UK – United Kingdom	EU – European Union	AU - Australia
			
CN - China	IN - India	KR – South Korea	

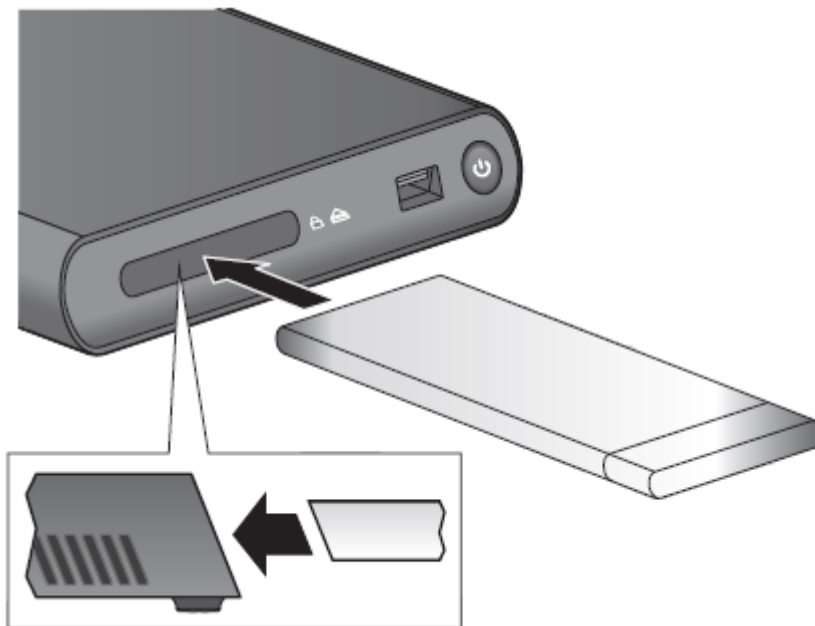
2. Slide the attachment (B) onto the power plug, locking it into place (A).



3. Connect to AC power.



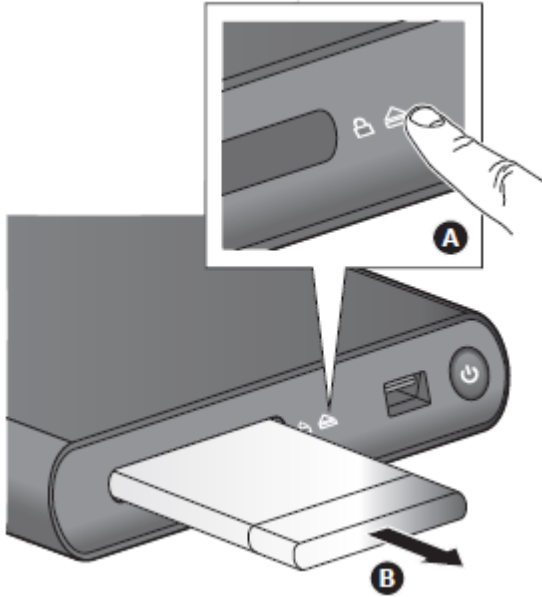
## Insert Intel Compute Card



## Eject a Card

There are two ways to eject a card from the dock.

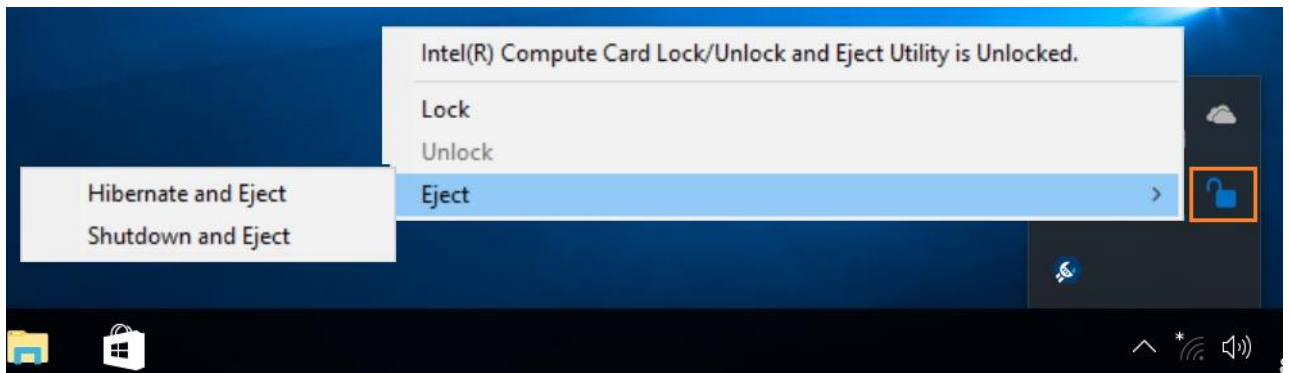
### Hardware eject button on the dock front panel:



After pressing the eject button, the fan in the Dock will cool the Card to a safe temperature level before ejecting it.

### Software eject using the Intel® Compute Card Lock and Eject Tool.

1. Download and install the **Intel® Compute Card Lock and Eject Tool**.
2. Right-click the tray icon and select **Eject**.
3. Choose one of the following options:
  - Hibernate and Eject
  - Shutdown and Eject



After selecting the eject option, the fan in the Dock will cool the Card to a safe temperature level before ejecting it.



## Install an Operating System

Refer to [Supported Operating Systems](#) for a list of Intel-validated Windows\* operating systems, as well as versions of Linux that have been reported as compatible by Intel NUC owners.

Refer to [Operating System Installation](#) for system requirements and installation steps.

## Install Driver and BIOS Updates

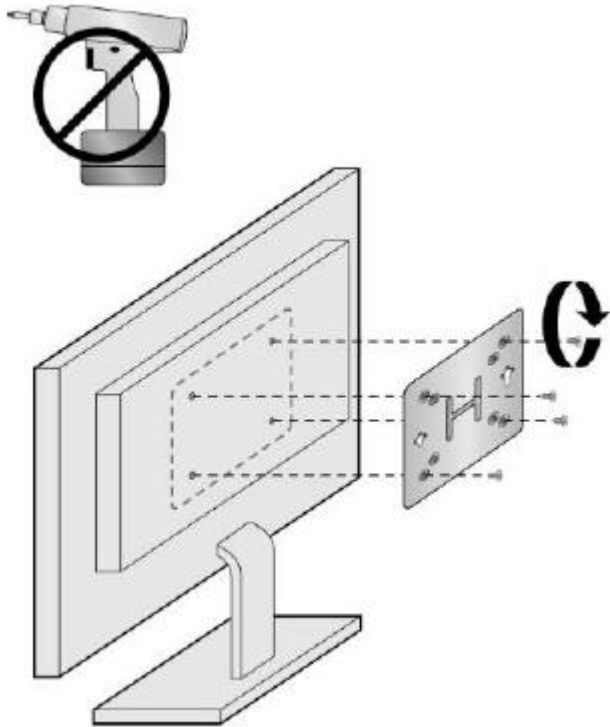
The table shows the available downloads. Click the product name to go to Download Center for that product.

Download	<a href="#">CD1M3128MK</a>	<a href="#">CD1C64GK</a> <a href="#">CD1P64GK</a>	<a href="#">DK132EPJ</a>
HID Event Filter		x	
Intel® Bluetooth Technology	x	x	
Intel® Chipset Device Software	x	x	
Intel® Gigabit Network Connection			x
Intel® HD Graphics	x	x	
Intel® Management Engine for Consumer	x		
Intel® Serial IO Host Controller	x	x	
Intel® Trusted Execution Engine		x	
Intel® Wireless Technology	x	x	
System BIOS	x	x	

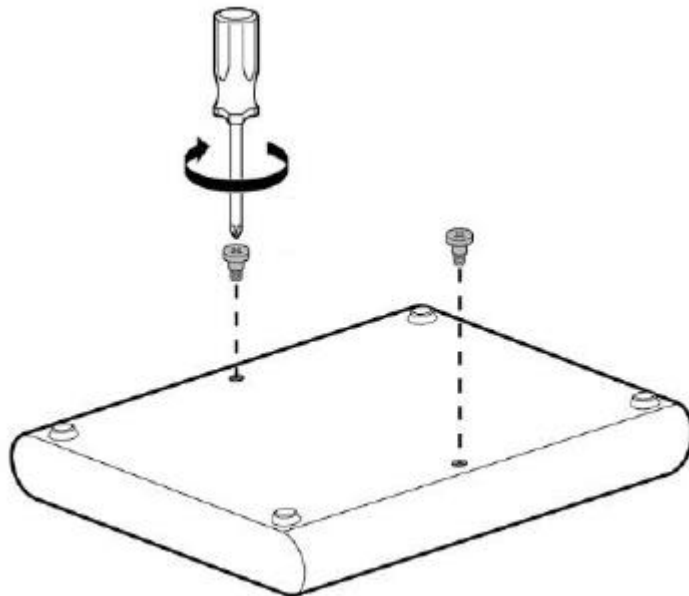
## Attach the VESA Bracket (Optional)

Follow these instructions to attach and use the VESA mount bracket with the Dock.

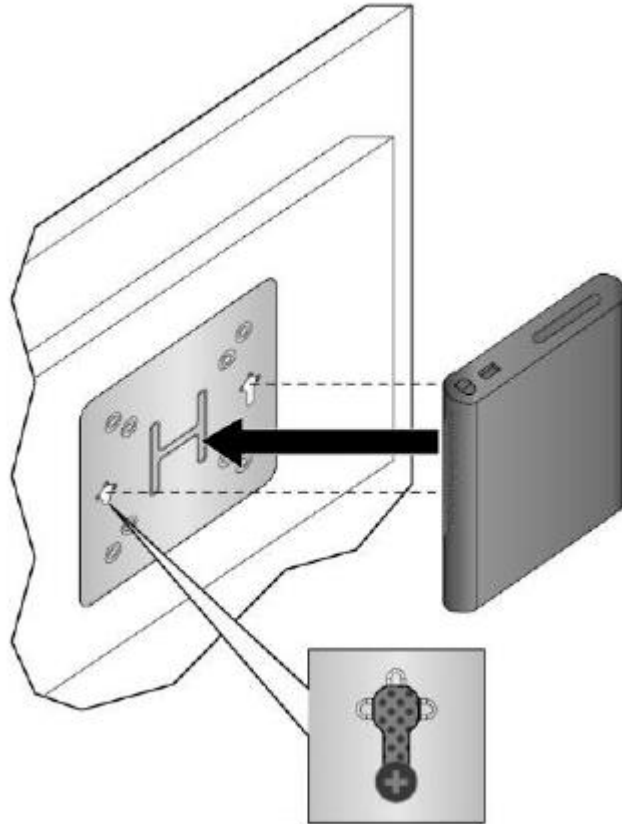
1. Attach the VESA bracket to the back of the monitor or display, using the four small black screws.



2. Attach the two large black screws that were included in the box to the bottom of the Dock.



3. Slide the Dock onto the VESA mount bracket.



### Secure Dock with a Cable Lock (optional)

