

# 23" Full HD 1080p LED Monitor

Greener Environment for Better Work Performance

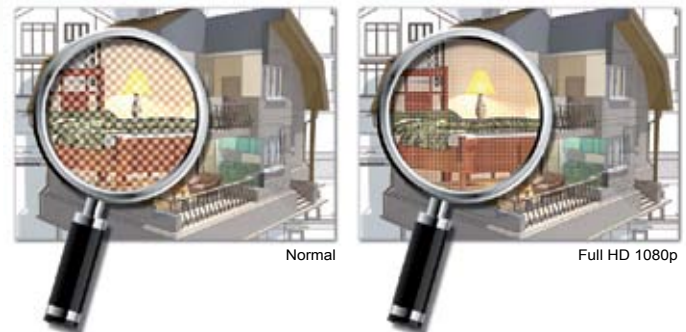
**VA2342-LED**



The ViewSonic® VA2342-LED comes equipped with a long-lasting and highly efficient power-saving LED backlight as well as ViewSonic's exclusive Eco-mode that reduces power consumption based on different lighting environments and minimizes maintenance efforts and costs. With a 1920 x 1080 Full HD 1080p resolution, the image performance has never been this perfect; the 16:9 screen size supports multi-screen functionality for enhanced work productivity. Embedded dynamic contrast ratio technology not only enhances the dark and bright contrast of images but helps to produce an ultrahigh 10,000,000:1 ratio to deliver perfect image performance. Built-in sRGB color correction technologies revives image colors and captures the most realistic aspects of content for consistent color performing presentations, photographs, graphic designs or printings. With an incorporated slim bezel, hidden button design and patented VESA® wall mount compliance, the VA2342-LED serves as a perfectly functional display for your office or home settings.

## Full HD 1080p for Superlative Pixel Performance

The VA2342-LED features a Full HD 1080p 1920 x 1080 resolution for unbelievable pixel-by-pixel image performance. You'll experience the most amazing clarity and detail whether it be while working, gaming, or enjoying the latest in multimedia entertainment. A 16:9 widescreen ratio minimizes eye fatigue even after hours of viewing and is perfectly compatible with multi-window viewing without toggling.



## Planet-Friendly Mercury-Free LED Backlighting

The LED backlight further conserves up to 40%\* more energy when compared to conventional displays and allows a slimmer panel profile for a most pleasing entertainment experience.

## Eco-Mode Conserves More Energy

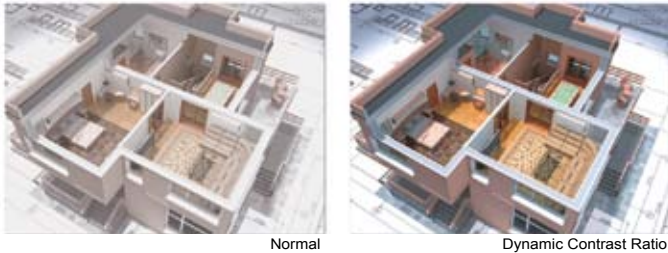
ViewSonic's proprietary Eco-mode function provides options to "Optimize" and "Conserve", which reduces display brightness and conserves up to 25%\* more energy. Especially in a low ambient light, Eco-mode adjusts brightness and improves visibility while reducing eye fatigue and prolonging display lamp lifetime.

# 23" Full HD 1080p LED Monitor

**VA2342-LED**

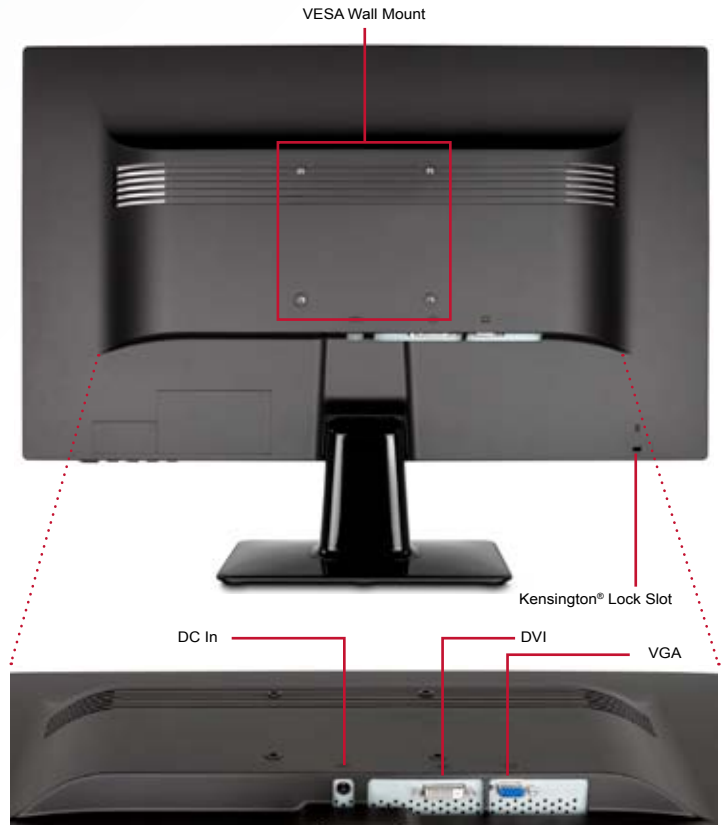
## 10,000,000:1 MEGA Dynamic Contrast Ratio

Dynamic contrast ratio detects the brightness of an image, and automatically adjusts the backlight to maximize the monitor's color range and contrast. Dynamic contrast ratio technology enables the accurate reproduction of images, producing vibrant and rich visual effects.



## sRGB Color Correction Defines the Truest Color

Accurate and consistent color performance is essential for professionals in graphic design, video editing and other professional environments. With built-in sRGB color correction technology, the VA2342-LED can reproduce 100% sRGB rich color performance and capture the original and true colors from screen to print.



## Specifications

<b>LCD PANEL</b>	Type	23" Wide Color TFT Active Matrix LED
	Display Area	20" horizontal x 11.3" vertical; 23" diagonal
	Optimum Resolution	1920x1080
	Brightness	250 cd/m <sup>2</sup> (typ)
	Contrast Ratio	1000:1 static (typ)
	Dynamic Contrast Ratio	10,000,000:1
	Viewing Angles	170° horizontal, 160° vertical
	Response Time	5ms (typ.)
	Backlight	White-light LED
	Backlight Life	30,000 hours (min)
Aspect Ratio	16:9	
Panel Surface	Anti-glare, hard-coating (3H)	
<b>INPUT</b>	Analog	RGB analog (75 ohms, 0.7 / 1.0 Vp-p)
	Digital	DVI (TMDS, 100 ohms)
	Sync	H/V separated (TTL)
	Frequency	Fh = 24 ~ 83 kHz; Fv = 50 ~ 76 Hz
<b>COMPATIBILITY</b>	PC	VGA up to 1920x1080@ 60Hz (preferred)
	Mac®	Power Mac (up to 1920x1080)
<b>CONNECTOR</b>	Analog	15-pin mini D-sub (VGA)
	Digital	DVI-D (with HDCP)
<b>POWER</b>	Voltage	AC 100~240V (universal), +/-10% Wide Range
	Consumption	22W (typ) Optimize: 19W (typ) Conserve: 16W (typ)
	Controls	Basic OSD
<b>CONTROLS</b>	Basic	Power, 1, down, up, 2
	OSD	Auto Image Adjust, Contrast/Brightness, Input Select (D-SUB, DVI), Color Adjust (sRGB, Bluish, Cool, Native, Warm, User Color [R, G, B]), Information, Manual Image Adjust (H/V Position, Horizontal Size, Fine Tune, Sharpness, Dynamic Contrast, Response Time, Aspect Ratio, Eco-mode), Setup Menu (Language, Resolution Notice, OSD Position, OSD Timeout, OSD Background, Auto Power Off), Memory Recall

<b>ERGONOMICS</b>	Tilt	5° forward, 15° back
	Temperature	32~104°F (0~40°C)
<b>OPERATING CONDITIONS</b>	Humidity	10~90% (non-condensing)
	Physical with stand	21.6 x 16.3 x 6.5 in. / 548 x 415 x 164 mm
<b>DIMENSIONS (W x H x D)</b>	Physical without stand	21.6 x 13.1 x 1.5 in. / 548 x 333 x 38 mm
	Packaging	23.4 x 15.6 x 4.4 in. / 595 x 395 x 111 mm
	Net with stand	5.6 lb. / 2.55 kg
<b>WEIGHT</b>	Net without stand	5.0 lb. / 2.25 kg
	Gross	8.4 lb. / 3.8 kg
	WALL MOUNT	VESA® 100 x 100 mm
<b>REGULATIONS</b>	UL/cUL, FCC-B, ENERGY STAR®, EPEAT(silver), Mexico Energy, NOM, WEEE, RoHS, CE, CB	
<b>RECYCLE/DISPOSAL</b>	Please dispose of in accordance with local, state or federal laws.	
<b>WARRANTY</b>	Three-year limited warranty on parts, labor and backlight	

## What's in the box?

VA2342-LED LED Display, Power Adapter, Power Cable, VGA Video Cable, ViewSonic Wizard CD-ROM, Quick Start Guide



ViewSonic Corporation's GMS & EMS have been registered to ISO 9001 & ISO 14001, respectively, by TUV NORD.